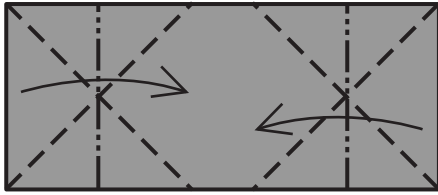
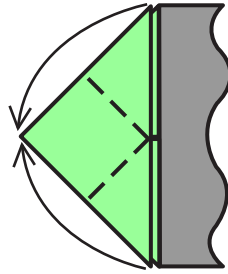


“Change of Heart” by ???

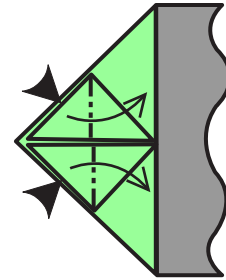
Diagrams by Steve Hecht.



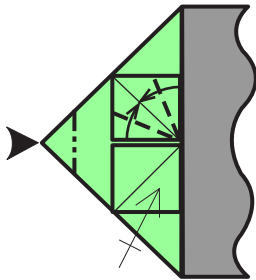
1. Form a water-bomb base at each end of the bill.



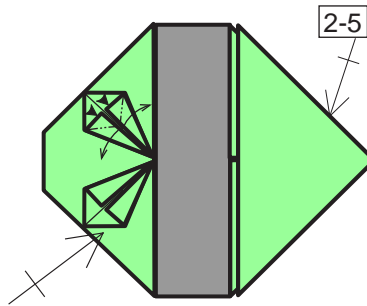
2. Left end of model. Valley-fold points.



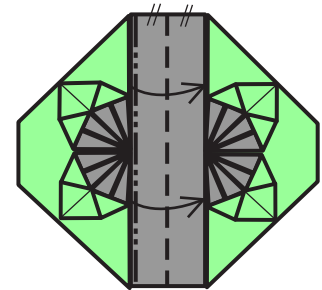
3. Squash the points.



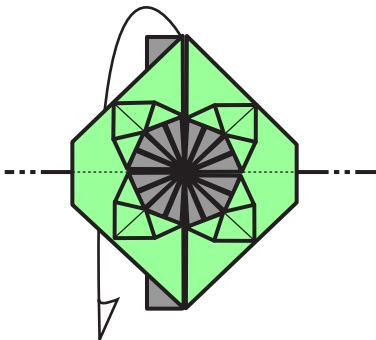
4. Open-sink the outside corner. Then valley-fold the angle-bisectors. Repeat below.



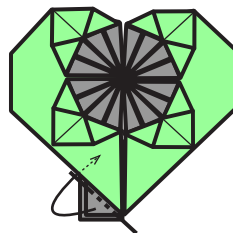
5. Squash the two edges. Repeat below. Repeat steps 2-5 on the right end of the bill.



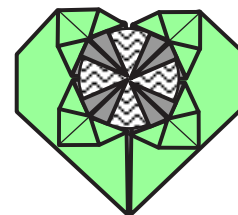
6. Pleat.



7. Swing the top flap down.



8. Mountain-fold the two corners as one, and tuck into the model.



9. Finished. A U.S. quarter may be slipped under the central four points.